

Vehicle Terminal Equipment

Product Name: Car Positioning Terminal

Product model: TR08M

User Manual



Contents

Chapter 1 Product Composition and Interface Definition	1
I. Product Overview	1
II. The Schematic Of Product	Error! Bookmark not defined.
III. The Product Configuration List	1
IV. Interface Definition Of Product.....	2

V. Definition Of Product Indicator	3
Chapter II Parameters Of Device And Function Instructions.....	4
I. Parameter List Of The Device.....	4
II. Function List Of The Device.....	5
III. Installation Process Of Product.....	6
1. Device installation	6
2. SMS Command for Online Tracking Setup.....	7
Chapter III Analysis of Common Problems and After-sales Service	8
I. Analysis Of Common Problems	8
II. Attention	8
III. After-sale service	9

Chapter 1 Product Composition and Interface Definition

I . Product Overview

Product Name: Car Positioning Terminal

Product Model: TR08M

Product Size: L78.5mm *W23mm*H12mm

III. The Product Configuration List

Number	Name	Quantity	Unit	Remark
1	TR08M Host	1	Unit	
2	User Manual; Warranty Card; Certificate Of Approval	1	Unit	3-In-1
3	Package Box	1	Unit	
4	Power Cable	1	Unit	

Note: The Above Is a List Of Standard Configurations For The Entire Set Of Products, And Accessories Outside The Above Range Are Subject To Additional Fees.

IMPORTANT INITIAL SETUP NOTES:

A working GSM capable SIM with a positive **data balance** & an **SMS balance** (as they device can be SMS command controlled)-

Ensure that the SIM inserted in the unit **HAS PIN CODE DISABLED** (this can only be checked with another phone, if not disabled the unit will stay OFFLINE - 0000 is sometimes set as default sim, this is still a PIN and must be removed)

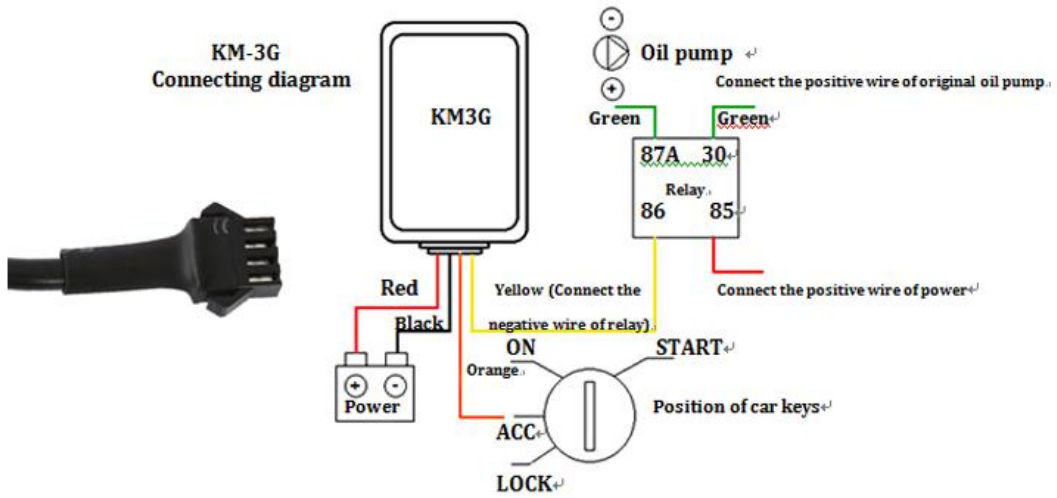
IV. Interface Definition Of Product



No	Colour	Interface definition
1	Yellow	Oil -
2	Orange	ACC
3	Black	Power GND
4	Red	Power +

Device wiring diagram

Yellow	Relay	Orange	ACC
Black	GND	Red	Power



V. Definition Of Product Indicator

Indicator	GSM (Red)	Fast Flash: GSM In The Initialization
		Slow Flash: GSM Signals Is Normal
		Long Bright: GPRS On Line
		Not Light: Not Yet Received The GSM Signal/Not Insert Sim Card/GSM Dormancy
	GPS(Yellow)	Fast Flash: GPS Signal In The Search
		Long Bright: GPS Has Been Positioning
Not Light: GPS Dormancy/Not Working		

Chapter II Parameters Of Device And Function Instructions

I . Parameter List Of The Device

No	Item	Specifications	Remark
1	Working Voltage	DC9V-36V	
2	Working Current	25ma @12V(Static Current10mA)	Not Charge
3	Size	L78.5mm *W23mm*H12mm	
4	Located Way	GPS+LBS	
5	Location Accuracy	<10 Meters	Test Data
6	Communication Network	GPRS	
7	Gsm Frequency	850/900/1800/1900MHz	
8	Communication Way	TCP	
9	Working Temperature	-25°C~ +75°C	
10	Storage Temperature	-40°C ~ +85°C	
11	Standby Battery	0.5 Hours	
12	Warranty	1 Year	

II . Function List Of The Device

Functions	Function Details	Description
Location Data Report	Real-Time Tracking	Upload The Longitude And Latitude Information According To The Time Interval Setted
Vehicle Status Detection	Car Acc On/Off Status.	Uploaded Data Include The Acc On/Off Status Each Time
	Power Down Alarm	Turn On Backup Battery, When The Vehicle Voltage Is Lower Than 5v, The Device Upload a Alarm To The Server
	Low Power Alarm	When The Voltage Is 5v-10v, The Device Will Upload a Alarm To The Server
	Over Speed Alarm	Set The Maximum Speed Limit Value On The Platform, When The Gps Speed Is More The Setted Value, The Device Will Upload a Alarm To The Server
	Oil Checking	Cut Off/Supply Fuel Remotely Through Server And Message
Other Functions	Illegal Dismantling Alarm	The Power Down Alarm And Light Sensor Alarm Triggered Of The Device In 2 Minutes, Then The Illegal Dismantling Alarm Will Be Reported To The Server
	Blind Area Uploading Data	The Data Is Stored Up To 300pcs If The Terminal Is Located And Not Online, Upload When The Signal Is Good
	Epo Located For Assistance	The Terminal Supports The Epo Assisted Positioning Function To Enhance The Positioning Effect.
	Inflexion Upload	When The Angle That Vehicle Turned Is More Than a Normal Scale It Will Send a Location Data Soon To Optimize The Playback
Low Power	Upgrade Remotely	Need Assistance Of Factory
	Static Mode	The 3D Triaxial Accelerometer Senses The

Consumption		Vibration State Of The Vehicle In Real Time, When The Car Is Moving, The Device Is In Motion Mode; The Device Will Change To Static Mode After 5 Minutes Without Vibration, Close The Gps Module, When Vibration Is Detected, The Device Automatically Changes To Motion Mode.
-------------	--	--

III. Installation Process Of Product

1. Device installation

(1) Check Device

Check whether the appearance of the device is good and whether the related accessories are complete

(2) Install the SIM card

Open the bottom cover of the device and insert the SIM card into the card holder. Do not use excessive force to damage the card holder. Do not insert or remove the SIM card while the device is power on. Make sure the SIM card has Internet access.

(3) Select installation location

A. Waterproof: Should choose a position that does not easily enter the water to ensure the drying of the terminal; Pay attention to keep away from the outlet of the air conditioner to prevent condensation water from accumulating inside the terminal and seriously affecting the service life of the product when the temperature difference changes.

B. Shockproof: The terminal cannot be suspended and installed in a long-term vibration.

C. Anti-interference: The terminal should be far away from the electronic equipment

such as audio and intercom in the car to prevent conduction interference and radiation interference.

(4) Connect GPS Antenna

A. Please notice that the GPS Antenna signal receiving side should up to sky and no metal block. Bottom keep flat, tilt should not be more than 45°

B. Wires should be concealed;

C. Please make sure the GPS antenna is connected to the right connector and fixed tightening to avoid vibrated.

2. SMS Command for Online Tracking Setup

Exactly format:

Set IP Online:

```
<SPGWI*P:GWIGPS*T:www.gpsgreat.com,88*A:CMNET*N:13288888888*C:0030  
>
```

Set The Domain Name Online:

```
<SPGWI*P:GWIGPS*Q:www.xxxxx.com:88*A:CMNET*N:14141937348>
```

SPGWI: Header

P: Password (Default Password: GWIGPS)

T: TCP IP and Port

Q: www.xxxxx.com,88 is Domain Name And Port

A: APN

N: Device Number

C: Time Interval (Seconds)

Chapter III Analysis of Common Problems and After-sales Service

I . Analysis Of Common Problems

Problem	Reason	Solution
Center Cannot Monitor	Sim Card No Money	Recharge Money
	Sim Card Connect Good Or Not	Please Install Sim Card Again
	Online Parameter Setting Error	Reset Parameters With Correct Format According To User Manual
	Vehicles Are In Underground Parking Lots, Tunnels, Weak Signals	Leave Off The District With Weak Signal
Wrong Light Alarm	Installation Location Is In Light Area	Install The Device In Area Without Light
Cannot Locate	Vehicle In Underground Car Parks Or Tunnels	Leave That Area
	GPS Antenna Side Is Not Up To Sky	Make The Gps Antenna Side Up To Sky

II. Attention

- 1.Stay away from water
- 2.Please keep the car battery fully charged
- 3.Device working current is 9-36V, recommended 12V and 24V. Tracker will damage if the current is over this range.
- 4.Working temperature is -25to 75centigrade, please cut off power if the temperature is over this range.
- 5.When vehicle is in underground parks, tunnels, or garage, maybe GPS signal will not very good. Communication network blind area will be caused and cannot monitor vehicle. When the car is out of that area, it will be working good automatically.

6. Please do not attempt to repair the device yourself when it is not working properly.

III. After-sale service

1. This product enjoys one year of warranty service from the date of installation. During the warranty period, due to non-human factors or equipment damage caused by product quality, please contact the agent in time or call the RA Smart Tech Co., Ltd, after-sales service department to deal with it. Contact us on 0847777101

2. The damage caused by the customer's private revocation or force majeure (such as floods, vehicle accidents) will not be repaired.

3. After the warranty period expires, due to product damage or malfunction caused by the use, the maintenance material cost fee will be charged.

4. Free to provide customers with product purchase, use, installation and other consulting and technical services.

Accessing the device reporting and statistics information:

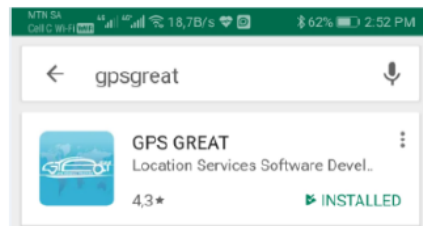
1. Computer/Internet/Web based

- 1.1. Go to <http://www.gpsgreat.com>
- 1.2. Login with your IMEI NO (this 15-digit no can be found on the silver sticker on the box or on the unit), the factory default password is: 123456 You may want to change this default password
- 1.3. Tabs MONITOR AND STATISTICS will give you all the information needed



Monitoring via the mobile APP

- 1.4. Works on both IOS and Android, search GPSSGREAT in the APP store



- 1.5. Login by "Log in by License Plate" and enter your IMEI no as username and password - 123456

Online User Manuals:

1. MODEL TR21:

https://www.supercoolstuff.co.za/Documents/GPSTrackers/TR21/TR21_User_manual.pdf

2. MODEL TR08:

http://www.supercoolstuff.co.za/Documents/GPSTrackers/TR08/TR08_User_Manual.pdf

https://www.supercoolstuff.co.za/Documents/GPSTrackers/TR08/TR08_command_list.pdf

SMS Instruction List					
	Features	Description			Remarks
			Command	sms replies	
1	Mode	Set Working Mode	<SPGWI*P:GWI GPS*C:0030*O: 0300>		C stands for the motion state return interval, and O stands for the device static state return interval (Maximum from 3 seconds to 3 hours, the precondition condition is distance should over 50 meters)
2	IMEI	Change IMEI Number	<SPGWI*P:GWI GPS*N:1380000 0000>	<T:103.044.239.100,0 88*A:Internet*N:13800 000000*GP:OK*CGR EG:1*CSQ:11*GPS:0* B:2*5C:1>	The IMEI number behind N can be modified by yourself, The APN A:Internet works for all operators MTN and Vodacom
4	Timezone	Set time zone	<zone 6.30>	zone is 6:30	Half time zone: zone -10:01 West 10 zone plus 1 minute set time zone to program support
5	Interval	Set the data upload time	<SPGWI*P:GWI		Sports mode: 30S

		interval	GPS*C:30*O:30 0>		Static mode: 5 minutes Noted: C means sport mode O means Static mode
6	Speed	Set overspeed alarm	<SPGWI*P:GWI GPS*p:bsjk*s:1 2010>	<*1A:120.76.69.92,98 75*I:0000000*C:30*O: 300*H:180*CS:120*1H: 1*2A:0*3U:0*3Z:0>zon e:8	When the speed reached on the overspeed, it will sent the alarm (platform). Note: Speed n: 0-200Km/h Note: 12010 means 120km/h alarm for 10 seconds. The maximum speed is 120KM/H and the duration is 10S Overspeed alarm is off by default.
7	GEO	Set the GEO fence		Platform default Settings	Note: Indicates the radius of the fence, in meters. Remove the electronic fence.
8	APN	Set APN information	<SPGWI*P:GWI GPS*A:CMNET >	<SPGWI*P:GWIGPS* A:CMNET>	Note: If there is no user and password, you can only fill in the APN name; behind A is the name of the access point of the SIM card. APN defaults
9	IP	Set the server IP and port	<SPGWI*P:GWI GPS*T:120.076. 068.123,6695>		Less than three numbers supplement by 0 For example my ip and port is IP:114.119.8.200 Port:88 <SPGWI*P:GWIGPS*T:114.119.008.200,088>
10	Param	Check configuration parameters	<CKGWI>	<T:120.76.68.123,778 8*A:CMNET*N:86301 4533226276*GP:OK* CGREG:1*CSQ:28*G PS:6*B:2>	T stands for TCP and Q stands for domain name. A is APN, N is the device number, GP is the online sign, CGREG is the network registration status, CSQ is the signal strength, and GPS is the level of searching signal.
11	Restore	Restore	FACTORY#	Factory default setting!	Note: After the device is reset, the parameters will be restored to the factory parameters. Restore all parameters except IP, port, and terminal number)
12	RESET	Reset device 复位设备	RESET#	The terminal will restart after 20sec!	

13	VER	Check version	<CKVER>	<VER:GWI_KM01 KM01JTA20BC (2018-11-27)(109E06 9),Nov 27 2018,15:24:59,MAUI.1 1C.W13.52.SP3.V2.B C(7131906),2018/07/1 3 19:06,STM8S_V8.2,1 DEECC,R	
14	dvd	cut the oil	stopoil		
15	hfyd	restore the oil	supplyoil		
16	Location	Low battery alarm	WHERE#		
17	alarm mode	cut the line alarm			
18	armed	Anti-counterfeiting detection alarm			
19	armed	Vibration alarm			
20	armed	Blind area upload			Note: 600 pieces of blind area data can be saved
21	armed	Corner upload			
22	armed	Remote upgrade			
23	armed	Lighting mode			Red light: fast flash: GSM initialization Slow flashing: GSM receiving signal is normal Long light: GPRS online No light: GSM signal not received / SIM card not inserted Yellow light: Fast flashing: GPS signal is searching Long light: GPS was positioned No light: GPS sleeping / no working

24	armed	Light alarm(TR08MIN)			Note: If the device does not see light, flip the device to let the device see the light and report the light alarm.
----	-------	----------------------	--	--	---